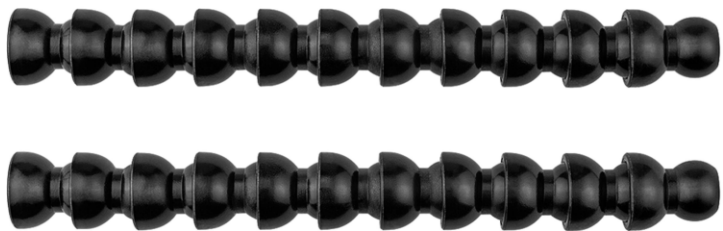


[www.aqua-loc.de](http://www.aqua-loc.de)

Aqua-Loc  
modular  
coolant hose system



## product overview

bundles



pages 6 - 8

coolant hoses



page 9

threaded nipples



page 10

threaded sockets



page 11

round-faced  
nozzles



page 12 & 13

flat-faced nozzles



page 13

angular nozzles



pages 14 & 15

## product overview

y-shaped  
branching  
elements



**page 16**

reduction  
elements



**page 17**

y-shaped  
reduction  
element



**page 17**

ball valves



**page 18**

assembly pliers



**page 19**

Opti-arm



**page 20**

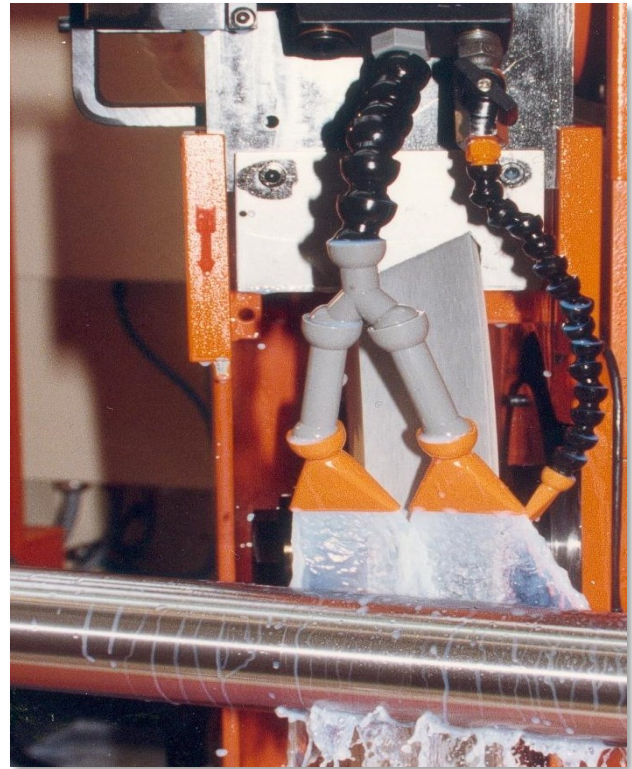
Opti-shields



**pages 21 & 22**

## Aqua-Loc flexible coolant hoses

Flexible coolant hoses Aqua-Loc with interchangeable hinge-design elements for pin-point directing of coolant liquids. Suction and blow-action are among the other application options.



### properties:

The hoses can be lengthened or shortened as the job requires. Very stable - no moving due to pressure or vibration, no elastic springback. Chemically resistant, no electric conductivity, hence suitable for spark erosion machinery. On contact, tools, parts and fixtures are not damaged. Modular click-action system with various nozzles, branching options and threaded nipples.

### technical parameters of the 3 system sizes:

system size / passage	flow capacity	coolant pressure
1/4" / 6 mm	15 l/min	2 - 4 bar
1/2" / 12 mm	30 l/min	1 - 2 bar
3/4" / 19 mm	50 l/min	1 - 2 bar



The 3 system sizes of Aqua-Loc coolant hoses can be inter-linked with reduction elements. Due to the technical design, very tight hose radii can be achieved. Hinge-design elements, threaded nipples and adapters are made from DELRIN 500, nozzles from polypropylene. DELRIN 500 is known for its resistance against hydrocarbons (petroleum gas, lubricants, hydraulic oil), coolants, esters, alcohols, ethereal oil, weak acids and lyes. Polypropylene is acid-resistant. Maximum application temperature: 100° Celsius.

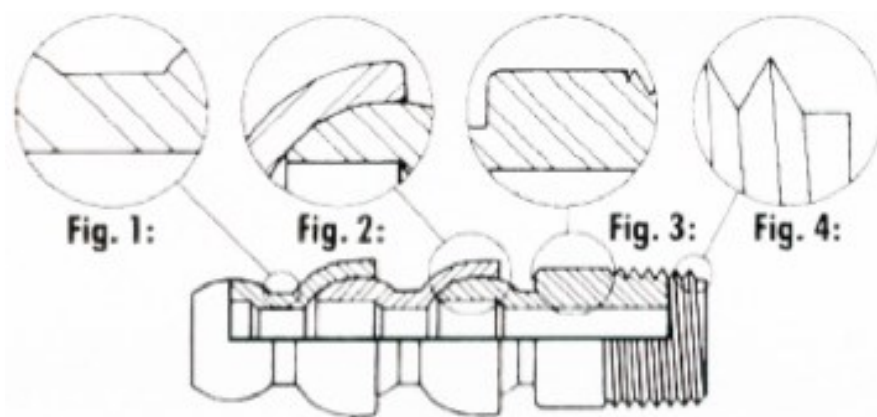
## user benefits:

Fig. 1: the elements' wall strength has a **generous dimension** of 2,1 mm - 4 mm

Fig. 2: clever design and careful production of the ball-joint elements result in **high load capacity, adhesion and pressure stability**

Fig. 3: threaded nipples have a solid design and feature **broad hexagonal key flats**

Fig. 4: carefully formed threads avoid their damaging while being screwed in/out; **easy lock/unlock action**. All threads are in accordance with the European gastube thread norm (BSPT)

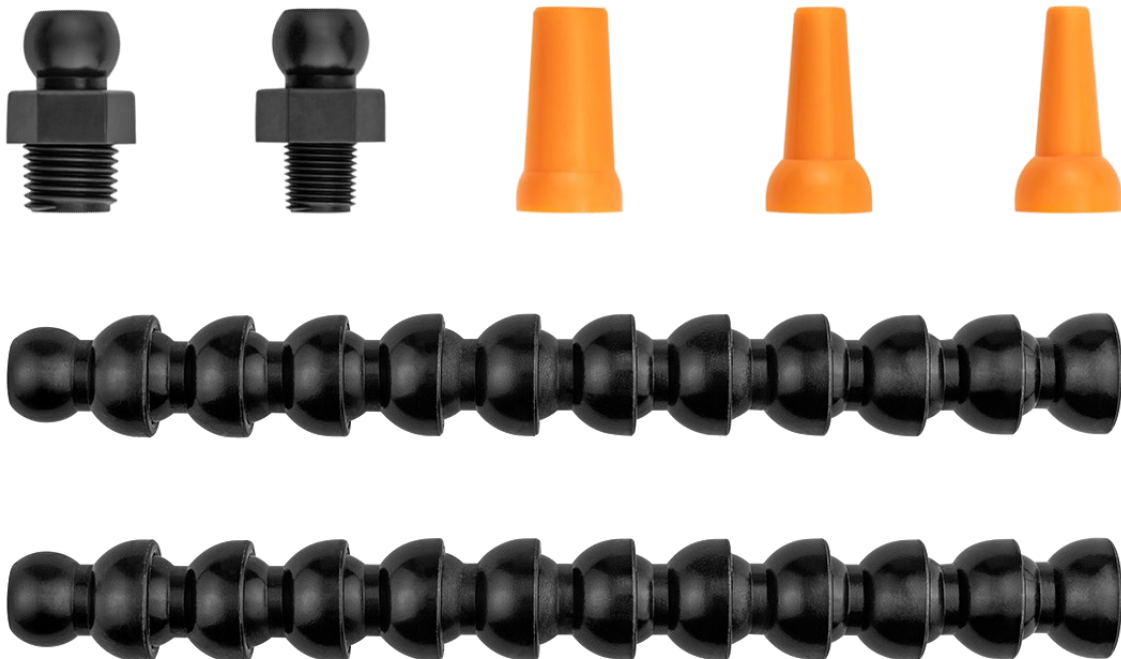


## sets / bundles

ideal starter packages for applying cutting fluids in the machine tool with pin-point accuracy

### system size 1/4"

content of set	quantity	article number
coolant hose 1/4" in black, length ca. 285 mm ( 22 elements ), incl. 3 round-faced nozzles 1,5 mm, 3 mm and 6 mm in orange, and a threaded nipple 1/8" and 1/4" each in black	1 set	08425-11BO



## sets / bundles

ideal starter packages for applying cutting fluids in the machine tool with pin-point accuracy

### system size 1/2"

content of set	quantity	article number
coolant hose 1/2" in black, length ca. 250 mm ( 12 elements ), inkl. 3 round-faced nozzles 6 mm, 9 mm and 12 mm in orange, and a threaded nipple 3/8" and 1/2" each in black	1 set	08450-11BO



## sets / bundles

ideal starter packages for applying cutting fluids in the machine tool with pin-point accuracy

### system size $\frac{3}{4}$ "

content of set	quantity	article number
coolant hose $\frac{3}{4}$ " in black, length ca. 310 mm ( 13 elements ), incl. 1 round-faced nozzle 16 mm in orange and a threaded nipple $\frac{3}{4}$ " in black	1 set	08475-11BO





## coolant hoses

coolant hoses can be lengthened or shortened as required

### system size 1/4"

article	length	quantity	article number
coolant hose 1/4" in black ( 23 elements )	ca. 295 mm	1 unit	08425-70



### system size 1/2"

article	length	quantity	article number
coolant hose 1/2" in black ( 14 elements )	ca. 290 mm	1 unit	08450-55



### system size 3/4"

article	length	quantity	article number
coolant hose 3/4" in black ( 13 elements )	ca. 310 mm	1 unit	08475-14



## threaded nipples ( BSPT - cone threads )

for installation at the coolant outlet of the machine

### system size 1/4"

article	thread	quantity	article number
---------	--------	----------	----------------

threaded nipple	G 1/8"	1 unit	08425-17
-----------------	--------	--------	----------



threaded nipple	G 1/4"	1 unit	08425-18
-----------------	--------	--------	----------



### system size 1/2"

article	thread	quantity	article number
---------	--------	----------	----------------

threaded nipple	G 3/8"	1 unit	08450-17
-----------------	--------	--------	----------



threaded nipple	G 1/2"	1 unit	08450-18
-----------------	--------	--------	----------



### system size 3/4"

article	thread	quantity	article number
---------	--------	----------	----------------

threaded nipple	G 3/4"	1 unit	08475-18
-----------------	--------	--------	----------



## threaded sockets ( BSPT - cone threads )

for installation at the front end of the coolant hoses

### system size 1/4"

article	thread	quantity	article number
threaded socket	G 1/8"	1 unit	08525-203



threaded socket	G 1/4"	1 unit	08525-204
-----------------	--------	--------	-----------



### system size 1/2"

article	thread	quantity	article number
threaded socket	G 3/8"	1 unit	08550-204



threaded socket	G 1/2"	1 unit	08550-205
-----------------	--------	--------	-----------



### system size 3/4"

article	thread	quantity	article number
threaded socket	G 3/4"	1 unit	08475-212

no picture yet

## round-faced nozzles

for pin-point application of the cutting fluid with round-faced nozzle opening

### system size 1/4"

article	nozzle opening	quantity	article number
---------	----------------	----------	----------------

round-faced nozzle orange	1,5 mm	1 unit	08425-14
---------------------------	--------	--------	----------



round-faced nozzle orange	3 mm	1 unit	08425-15
---------------------------	------	--------	----------



round-faced nozzle orange	6 mm	1 unit	08425-16
---------------------------	------	--------	----------



### system size 1/2"

article	nozzle opening	quantity	article number
---------	----------------	----------	----------------

round-faced nozzle orange	6 mm	1 unit	08450-14
---------------------------	------	--------	----------



round-faced nozzle orange	9 mm	1 unit	08450-15
---------------------------	------	--------	----------



round-faced nozzle orange	12 mm	1 unit	08450-16
---------------------------	-------	--------	----------



## round-faced nozzles

for pin-point application of the cutting fluid with round-faced nozzle opening

### system size 3/4"

article	nozzle opening	quantity	article number
round-faced nozzle orange	16 mm	1 unit	08475-100



## flat-faced nozzles

for pin-point application of the cutting fluid with flat-faced nozzle opening

### system size 1/4"

article	nozzle opening	quantity	article number
flat-faced nozzle orange	25 mm	1 unit	08425-19



### system size 1/2"

article	nozzle opening	quantity	article number
flat-faced nozzle orange	50 mm	1 unit	08450-19



### system size 3/4"

article	nozzle opening	quantity	article number
flat-faced nozzle orange	75 mm	1 unit	08475-148



## angular nozzles 90 °

for pin-point application of the cutting fluid at harder-to-reach spots  
the multi-hole angular nozzles feature a finer distribution via multiple openings

### system size 1/4"

article	nozzle opening	quantity	article number
---------	----------------	----------	----------------

angular nozzle grey	6 mm	1 unit	08425-85
------------------------	------	--------	----------



multi-hole angular nozzle grey	6 x 1,5 mm	1 unit	08425-87
--------------------------------------	------------	--------	----------



### system size 1/2"

article	nozzle opening	quantity	article number
---------	----------------	----------	----------------

angular nozzle grey	6 mm	1 unit	08450-98
------------------------	------	--------	----------



multi-hole angular nozzle grey	7 x 3 mm	1 unit	08450-02
--------------------------------------	----------	--------	----------



## angular nozzles 90 °

for pin-point application of the cutting fluid at harder-to-reach spots  
the multi-hole angular nozzles feature a finer distribution via multiple openings

### system size 3/4"

article	nozzle opening	quantity	article number
---------	----------------	----------	----------------

angular nozzle grey	15 mm	1 unit	08475-139
------------------------	-------	--------	-----------



multi-hole angular nozzle grey	6 x 5 mm	1 unit	08475-141
--------------------------------------	----------	--------	-----------



# aqua-loc.de

## y-shaped branching elements

for branching and doubling of the coolant exit points

### system size 1/4"

article	from > to	quantity	article number
y-shaped branching element	1 x 1/4" > 2 x 1/4"	1 unit	08525-10



### system size 1/2"

article	from > to	quantity	article number
y-shaped branching element	1 x 1/2" > 2 x 1/2"	1 unit	08550-10



### system size 3/4"

article	from > to	quantity	article number
y-shaped branching element	1 x 3/4" > 2 x 3/4"	1 unit	08575-10





## reduction elements

for reduction of the system size

### system size 1/2"

article	from > to	quantity	article number
reduction element	1/2" > 1/4"	1 unit	08450-20



### system size 3/4"

article	from > to	quantity	article number
reduction element	3/4" > 1/2"	1 unit	08475-20

no picture yet

## y-shaped reduction element

for branching and doubling of the coolant exit points and for the reduction of the system size

### system size 1/2"

article	from > to	quantity	article number
y-shaped reduction element	1 x 1/2" > 2 x 1/4"	1 unit	08550-13



## ball valves

for regulation of the flow capacity or switching off of individual system parts

### system size 1/4" - with inner thread

article	inner thread	quantity	article number
ball valve	1/8"	1 unit	08525-113



ball valve	1/4"	1 unit	08525-114
------------	------	--------	-----------



### system size 1/2" - with inner thread

article	inner thread	quantity	article number
ball valve	3/8"	1 unit	08525-115

no picture yet

ball valve	1/2"	1 unit	08525-116
------------	------	--------	-----------



## assembly pliers ( made of long fiber nylon )

handy helpers that facilitate the connecting of the coolant hoses with the various functional components, as well as the dis-connecting, and also e.g. for lengthening the coolant hoses or placing intermediate units at any position of choice within the system



### for system size 1/4"

article	quantity	article number
assembly plier for connecting & disconnecting of components of system size 1/4"	1 unit	08425-90



### for system size 1/2"

article	quantity	article number
assembly plier for connecting & disconnecting of components of system size 1/2"	1 unit	08450-90

## Opti-arm

An extra arm, wherever You require one. With a powerful holding clamp and strong magnetic base - easy adjusting into any position. Aides work personnel on the shop floor, e.g. ideal as a technical drawing support ( for larger drawings, 2 Opti-arms should be applied ) or as interim hold for utensils or tools in the work flow.



### system size 1/2"

article	quantity	article number
Opti-arm consisting of 15 elements of system size 1/2", with clamp and magnetic base	1 unit	08550-50

## Opti-shields ( made of transparent polycarbonate )

Clear-view shields made of polycarbonate, mounted on coolant hoses of system size 1/2" and completed by a magnetic base, for fast and flexible working. These transparent shields provide protection from air-borne metal filings, water squirts or sparks, just to name a few. Adjustable in 360 ° at leisure, and owing to the modular design it can be lengthened or shortened as required. Opti-shields stay put in their position after each respective adjustment.



## Opti-shields ( made of transparent polycarbonate )

### system size 1/2" - shield size 150 x 150 mm

article	quantity	article number
Opti-shield transparent 150 x 150 mm with coolant hose of system size 1/2" and magnetic base	1 unit	08550-26



Opti-replacement-shield transparent 150 x 150 mm for 08550-26	1 unit	08550-56
---	--------	----------



### system size 1/2" - shield size 225 x 225 mm

article	quantity	article number
Opti-shield transparent 225 x 225 mm with coolant hose of system size 1/2" and magnetic base	1 unit	08550-75



Opti-replacement-shield transparent 225 x 225 mm for 08550-75	1 unit	08550-79
---	--------	----------



### system size 1/2" - shield size 300 x 300 mm

article	quantity	article number
Opti-shield transparent 300 x 300 mm with coolant hose of system size 1/2" and magnetic base	1 unit	08550-55



Opti-replacement-shield transparent 300 x 300 mm for 08550-55	1 unit	08550-59
---	--------	----------



Technical modifications subject to change! Any previous versions of this document are herewith null and void!

bwz® Schwingungstechnik GmbH • Felix-Wankel-Straße 31 • D - 73760 Ostfildern/Nellingen • Germany

Tel.: +49 711 / 340 179 - 0 • Fax: +49 711 / 340 179 - 79

[www.bwz-schwingungstechnik.de](http://www.bwz-schwingungstechnik.de) • [info@bwz-schwingungstechnik.de](mailto:info@bwz-schwingungstechnik.de)

© bwz® Schwingungstechnik 22-Nov-2023